

RS.H009



REVA

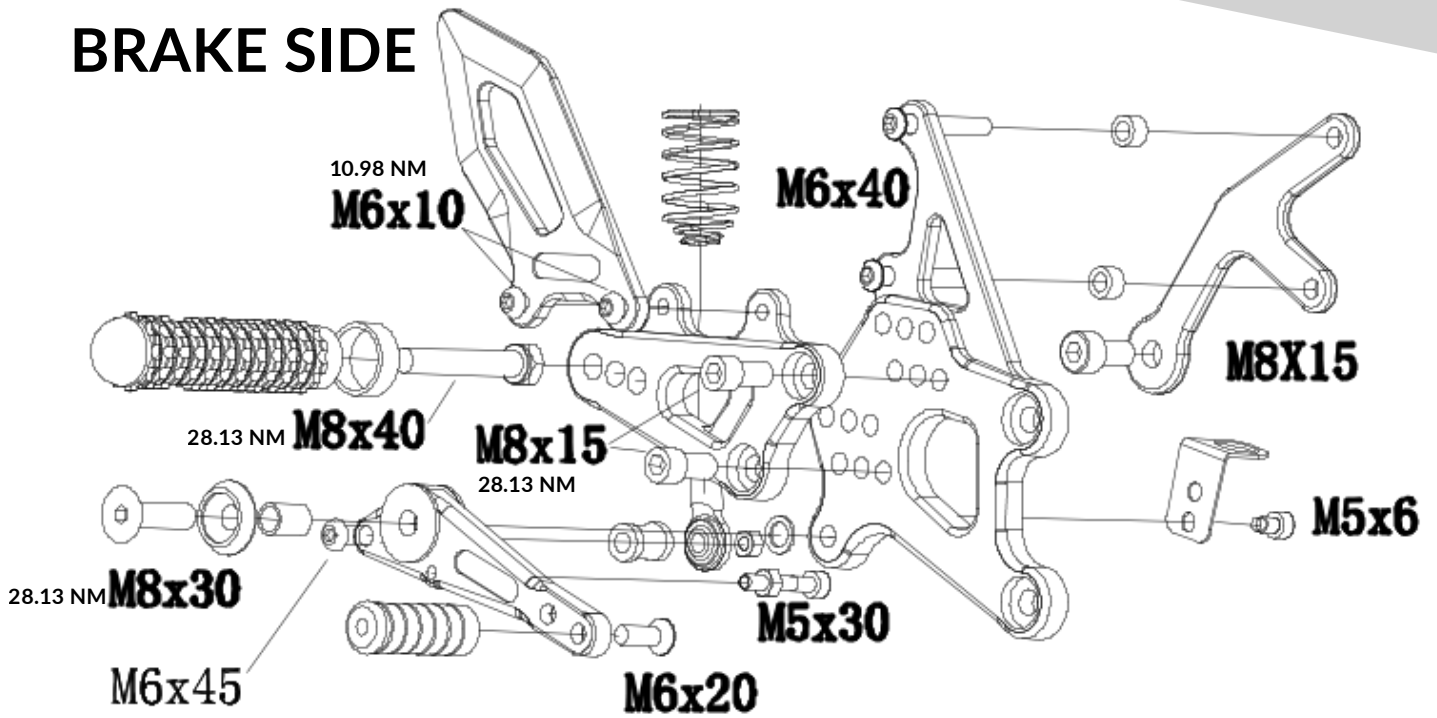
MODEL: CBR1000RR FIREBLADE/SP

YEAR: 2017-2019 Adj. Pos: 6

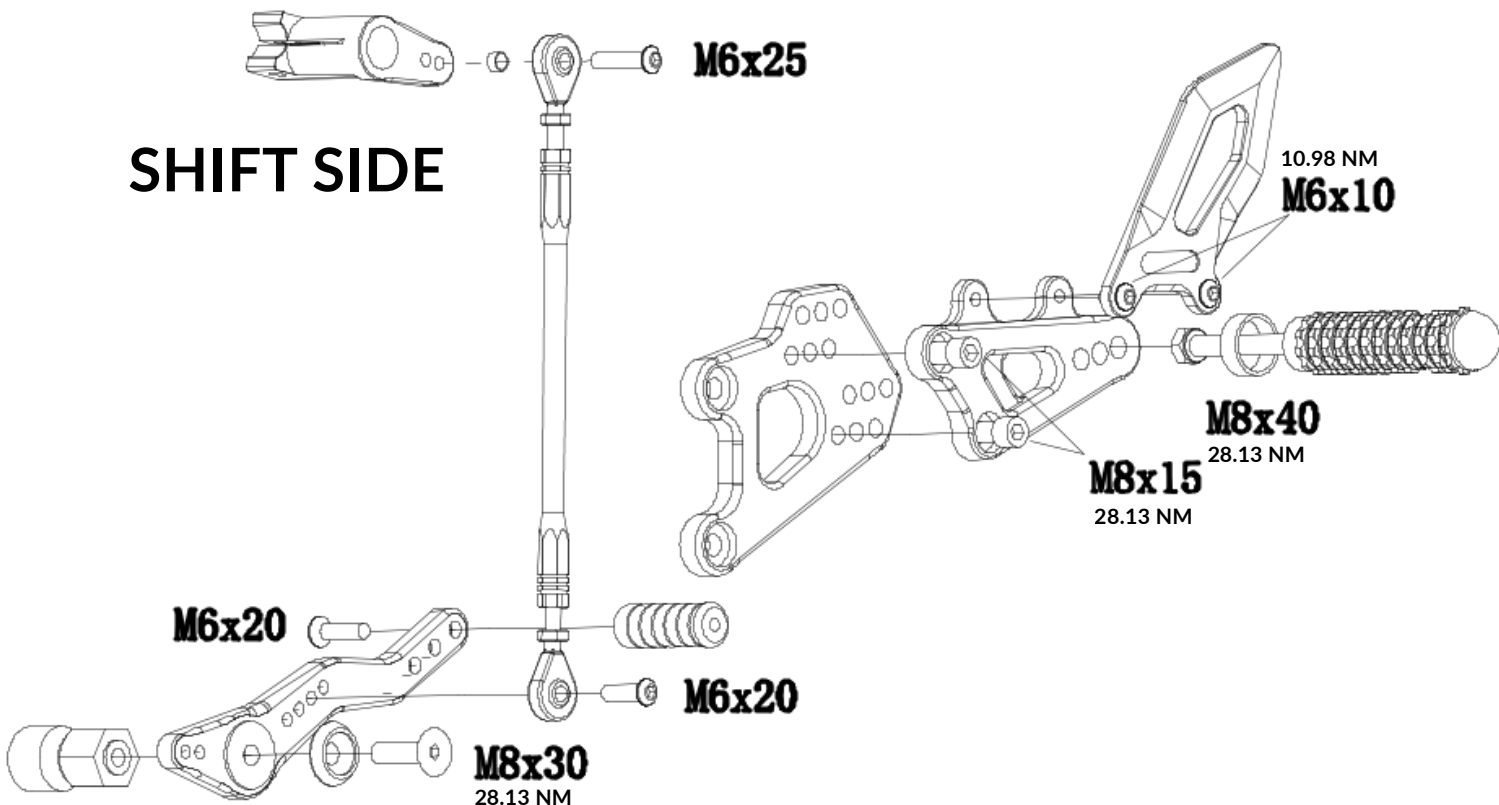
Est.inst.time: 45-60 min GP Shift: ✓

VS.OEM max: Up +40mm/Back -40mm

### BRAKE SIDE



### SHIFT SIDE



RS.H009



## BEFORE YOU START

### Tools Required for installation

- Hex keys (M5,M6,M8)
- Medium-strength threadlocker (Loctite® 243) Blue
- Torque wrench

### Preparation

- Support the motorcycle securely.
- Completely remove the OEM rearsets.Keep OEM components.
- Clean all mounting threads before installation.

### ⚠ Important

- Do not fully tighten any fasteners until all adjustments are completed.
- Moto-Tron rear sets are pre-assembled for reference only.All fasteners must be removed & apply threadlocker prior to final installation.Failure to do so may result in fasteners loosening due to vibration.

### Adjustment Guidelines

- Footpeg Position: Begin from an neutral position. Adjust until your thighs can comfortably and securely grip the fuel tank, with the knee and ankle forming an approximate 90-degree angle for proper rider ergonomics.
- Shift Lever : Adjust for comfortable ankle range of motion,ensure smooth and stable shifting and return movements.the angle between the shift linkage and joint (rod end) should be as close to 90° as possible.
- Brake Lever : Ensure free return and proper brake light operation

Final adjustments should be made according to rider preference.

### Final Safety Check

Before riding, confirm:

- All fasteners are tightened
- Threadlocker applied and allowed to cure for at least 30 minutes.
- Ensures smooth shifting and braking operation.
- Brake light functions correctly (if applicable)
- No interference with fairings, exhaust, or side stand
- Recheck all fasteners after 50-100 km of riding.

### ⚠ Disclaimer

If you are unsure about any step of the installation, we recommend professional installation.

### Support & Updates

For the latest installation guide, videos, and updates, please scan the QR code.

Website: [www.moto-tron.ca](http://www.moto-tron.ca)

Support: [General@moto-tron.ca](mailto:General@moto-tron.ca)

Thank you for choosing Moto-Tron Racing

Enjoy your ride ❤️

